

1 2 3 4 5 6 7 8

CLASS	NOMINAL LENGTH						
	L ≤ 10	10 < L ≤ 30	30 < L ≤ 100	100 < L ≤ 300	300 < L ≤ 1000	1000 < L ≤ 3000	
H	±0.02	±0.05	±0.1	±0.2	±0.3	±0.4	
K	±0.05	±0.1	±0.2	±0.4	±0.6	±0.8	
CLASS	NOMINAL LENGTH ON SHORTER SIDE						
	L ≤ 100	100 < L ≤ 300	300 < L ≤ 1000	1000 < L ≤ 3000			
H	±0.2	±0.3	±0.4	±0.5			
K	±0.4	±0.6	±0.8	±1.0			

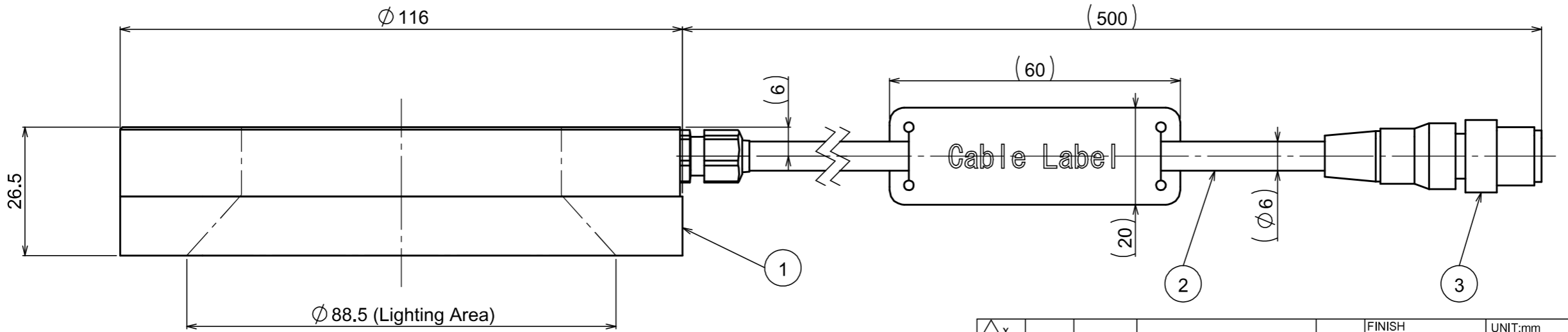
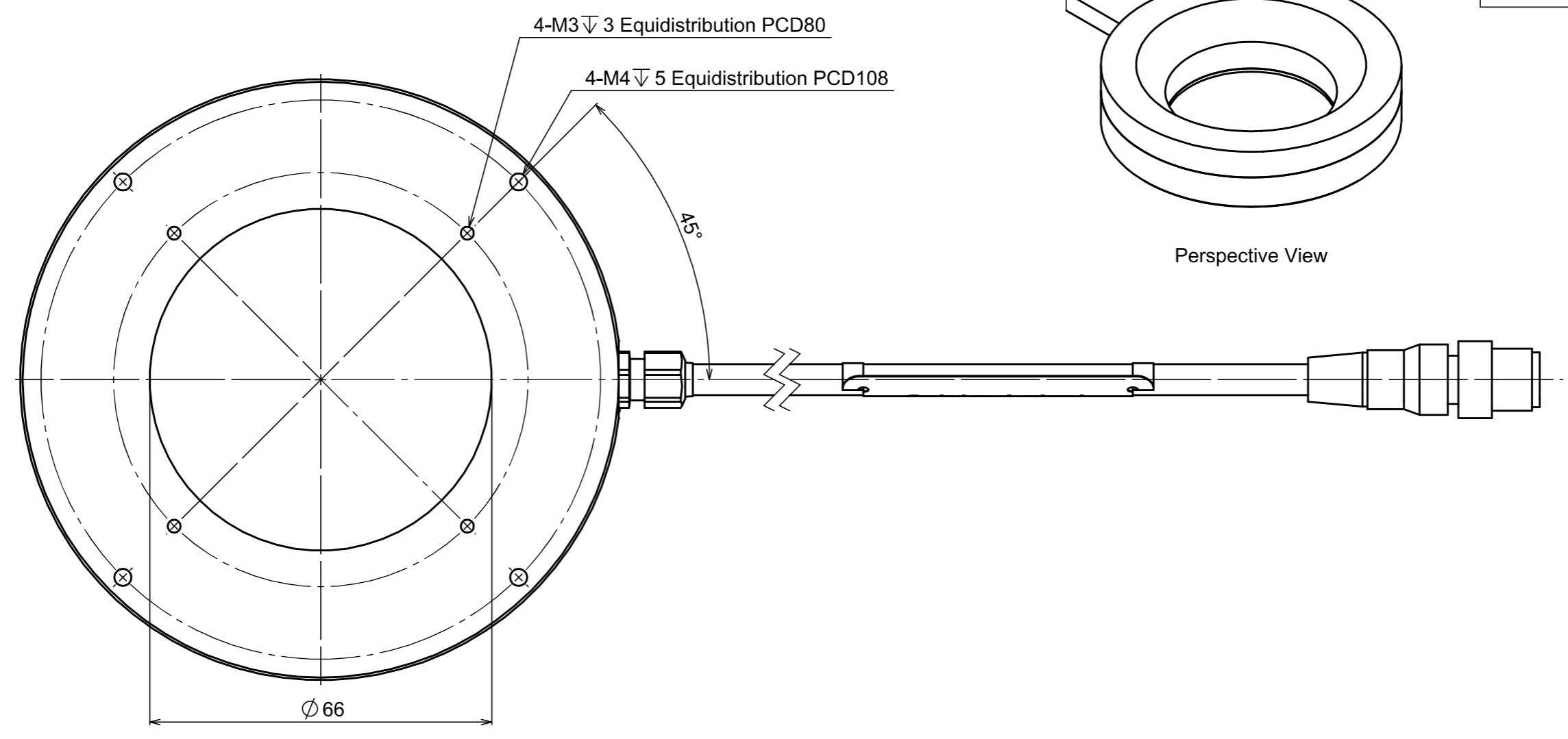
CLASS	STANDARD DIMENSION RANGE	
	L < 0.2	0.2 ≤ L ≤ 0.5
f	±0.1	±0.2
m	±0.1	±0.5
CLASS	CHAMFER TOLERANCE	
	L < 0.2	0.2 ≤ L ≤ 0.5
f	±0.1	±0.2
m	±0.1	±0.5

CLASS	STANDARD DIMENSION RANGE						
	L < 0.2	0.2 ≤ L ≤ 0.5	0.5 < L ≤ 3	3 < L ≤ 6	6 < L ≤ 30	30 < L ≤ 120	120 < L ≤ 400
f	±0.1	±0.2	±0.5	±1.0	±1.0	±1.0	±1.0
m	±0.1	±0.2	±0.5	±1.0	±1.0	±1.0	±1.0

CLASS	NOMINAL LENGTH ON SHORTER SIDE			
	L ≤ 100	100 < L ≤ 300	300 < L ≤ 1000	1000 < L ≤ 3000
H	±0.2	±0.3	±0.4	±0.5
K	±0.4	±0.6	±0.8	±1.0

CLASS	STANDARD DIMENSION RANGE	
	L < 0.2	0.2 ≤ L ≤ 0.5
f	±0.1	±0.2
m	±0.1	±0.5

Absolute Max. Rating / 最大定格		24V
Total Power / 消費電力合計		15W
CN1	Assign / 信号	
1	+V	
2	NC	
3	-V	
4	NC	



NO.	PART DESCRIPTION	MODEL NUMBER	QU.	NOTE
6				
5				
4	LED (WHITE)			
3	CONNECTOR		1	M12
2	CABLE		1	
1	DIFFUSER		1	PC

△x							
△x							
△x							
△x0	A-002	2024.Sep.17	Delete screws		Nakazaki		
△	A-001	2017.Apr.27	NEW				
MARK	COM-REV	DATE(YMD)	CHANGE		SIGNATURE		
DESIGNED	DRAWN	CHECKED	APPROVED				
Ito	Umatani	'24.09.19	'24.09.19				
		土門	達				

FINISH	UNIT:mm	MORITEX A Cognex Company
SURFACE	MODEL NAME	
MATERIAL	PART NAME	CV-HR-116X66W-M12
CHAMFER	OUTLINE DRAWING	
TOLERANCE CLASS	DRAWING NO.	A22370A0100201A-002
SCALE	SHEET	1/1
1:1		

OLD DRAWING NO. 2 3 4 5 6 7 8